

SPECIFICATION
FOR LITHIUM BATTERY
锂电池技术规范

| | |
|---------------------------|--|
| Approved By (批准) | |
| Department (部门) | |
| Name (姓名) | |
| Title (标题) | |
| Signature/Date (签名/日期) | |

(Remarks: The above table shall be filled by customer 上表须由客户填写)

Issued by (拟制): 仪燕会

Checked by (复核): 许杰康

Approved by (批准): 夏青

Document number(文件编号): WI-S-a3

Version number (版次): A/0

DATE : 2021-01-01

YICHANG POWER GLORY TECHNOLOGY CO., LTD.

宜昌力佳科技有限公司

NO.19, XIANFENG ROAD, XIAOTING DISTRICT, YICHANG CITY, HUBEI PROVINCE, CHINA

中国湖北省宜昌市猇亭区先锋路19号

TEL:0717-6533688 6537588

FAX:0717-6523399 <http://www.szlijia.com>

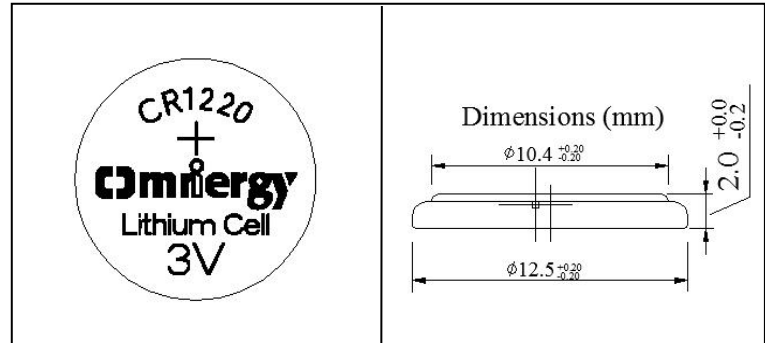
Lithium Manganese Dioxide Battery

Model CR1220



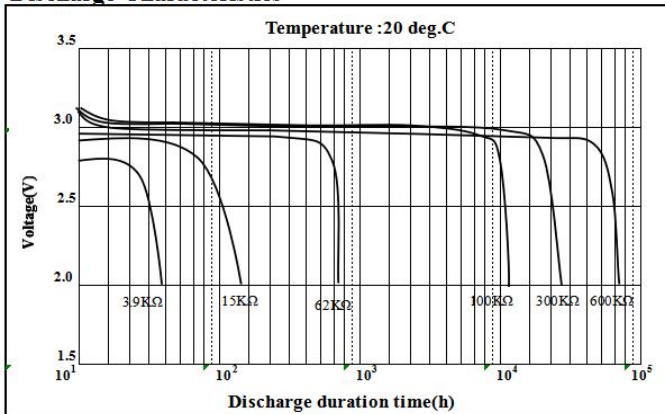
Specifications

| | |
|---------------------------|------------|
| Nominal Discharge current | 0.1mA |
| Nominal Voltage | 3V |
| Nominal Capacity | 38(mAh) |
| Continuous standard load | 62(kΩ) |
| Maximum pulse current | 5mA |
| Operating temperature | -20°C~70°C |
| Weight | 0.8 (g) |
| UL Recognition | MH29853 |
| Storage temperature range | 0°C-30°C |
| Storage humidity range | 35%~75% |

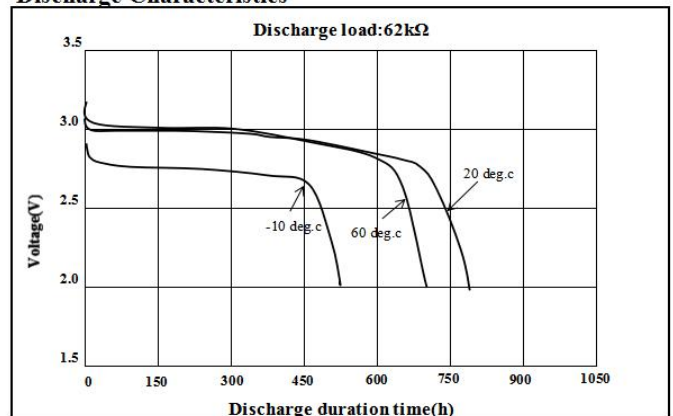


Characteristics

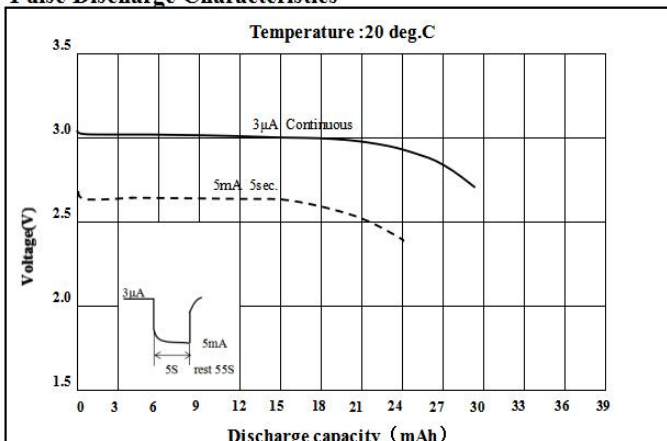
Discharge Characteristics



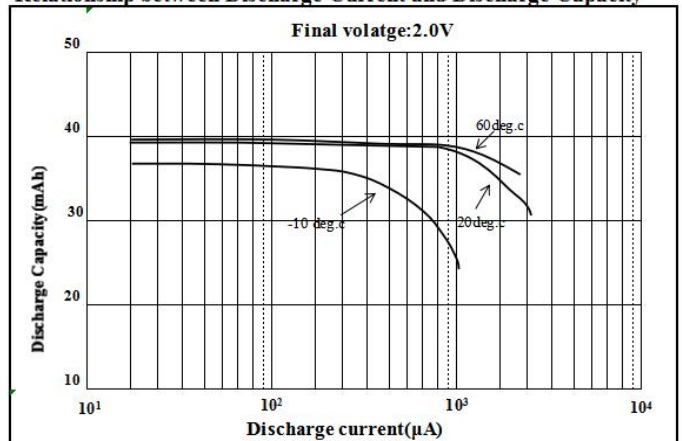
Discharge Characteristics



Pulse Discharge Characteristics



Relationship between Discharge Current and Discharge Capacity



Manufacturers: YICHANG POWER GLORY TECHNOLOGY CO., LTD.

<WARNING>

- (1) Never charge the battery. Charging the battery may cause seethe of the battery electrolyte or increase of the battery internal pressure. Leakage, heating, explosion or ignition of the battery may be caused as a result of it.
- (2) Keep away from infants. If infant happens to swallow the battery, consult a doctor Immediately
- (3) Note: if the temperature is higher than the continuous use +60 °C or below -10 °C. Please contact the Power Glory

Date of issue: Nov 2020

TEL:0717-6533688
FAX:0717-6523399

0717- 6537588
<http://www.szlijia.com>

■ Characteristics :

[TABLE 1]

| TEST ITEMS | TEMPERATURE | INITIAL | AFTER 12 MONTHS | REMARKS |
|------------------------|-------------|--------------|-----------------|--|
| Open-circuit Voltage | 20±2°C | 3.0V TO 3.4V | 3.0V TO 3.4V | |
| Closed-circuit Voltage | 20±2°C | 3.0V TO 3.4V | 3.0V TO 3.4V | Standard Load Resistance . 0.8 Sec. |

[TABLE 2]

| TEST ITEMS | TEMPERATURE | INITIAL | AFTER 12 MONTHS | REMARKS |
|--------------|-------------|-----------------------|---------------------------|--|
| Service Life | 20±2°C | See graph for details | ≥ 98% of initial capacity | Continuous Discharge Under Standard Load to 2.0V End-Voltage |

[TABLE 3]

| TEST ITEM | STORAGE TEMP | STORAGE PERIOD | REQUIREMENT | REMARKS |
|--|--------------|----------------|---------------------------|--|
| Service Life After Storage At High Temperature | 60 ±2°C | 20 Days | ≥ 98% of initial capacity | Continuous Discharge At 20± 2°C Under Standard Load To 2.0V End-Voltage After Storage. |

[TABLE 4]

| TEST ITEM | REQUIREMENT | TEST CONDITIONS |
|-------------------------|-------------|---|
| Leakage Characteristics | No Leakage | Temperature: 45 ± 2°C, Relative Humidity: 75% Storage: 30 Days Shall Be Inspected By Visual Means |

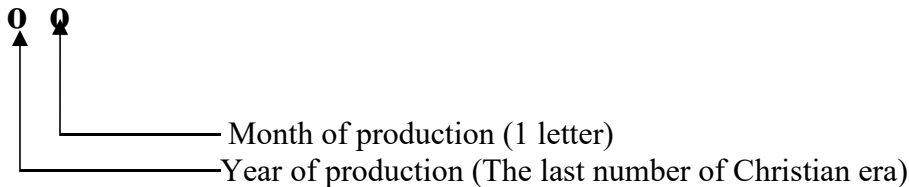
[TABLE 5]

| TEST ITEM | REQUIREMENT | TEST CONDITIONS |
|----------------|-------------|--|
| Self-discharge | 2% or Below | Continuous Discharge Under Standard Load To 2.0V End-voltage After 12 Months Storage At 20°C. (To Obtain From The Mean Value Of The Same Lot) |

■ **Markings:**

Markings on batteries :

- 5.1.1 Battery type : CR1220
- 5.1.2 Brand of battery: **Omnergy**
- 5.1.3 Polarity : + [(-) shall not be indicated]
- 5.1.4 Manufacturing marks : The year and month of production shall be marked on the negative (-) terminal side



[[Example] 81..... Manufactured in January 2018

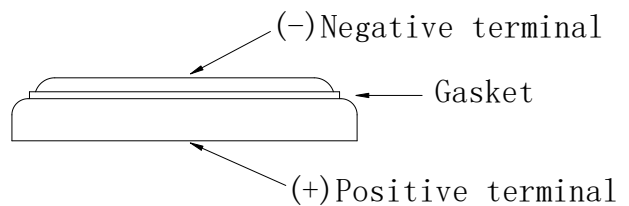
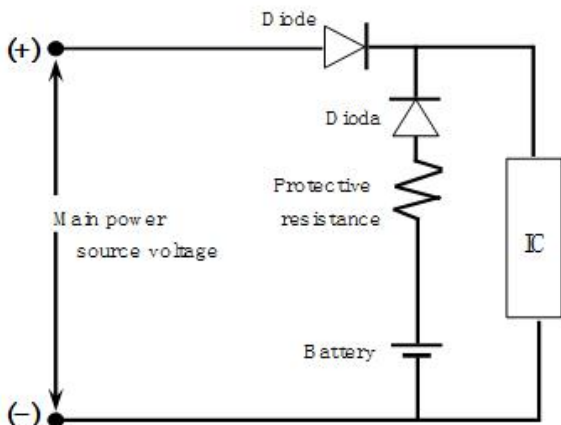
- 8X Manufactured in October 2018
- 8Y Manufactured in November 2018
- 8Z Manufactured in December 2018

Month of production.

- January to September -- 1- 9
- Oct, Nov, Dec, -----X, Y, Z

■ **Precautions in Designing a Memory Backup Circuit**

A primary lithium battery is not rechargeable. When used for memory backup in combination with another power source, current may flow into the battery from the other source. To prevent this, include a protection diode and resistor in the circuit so that no battery charging or over discharging can occur. Allowable Range of Diode Back-Leakage Current .To prevent the battery from being charged by the main power source, be sure to use a back-current prevention diode and a protection resistor. Select a silicon diode or a Schottky diode with minimum leakage current, and design the circuit so that the amount of charging due to leakage current does not exceed 1% of the nominal battery capacity over the total period of use.



Back-current Prevention Diode and Protection Resistor Used

■ Maximum Allowable Charge Current to Battery

| Model | Maximum Abnormal charging current | Model | Maximum Abnormal charging current | Maximum Abnormal charging voltage |
|--------|-----------------------------------|--------|-----------------------------------|-----------------------------------|
| CR1025 | 2.5mA | CR2320 | 10mA | 5V |
| CR1216 | 2.5mA | CR2325 | 10mA | |
| CR1220 | 10mA | CR2330 | 10mA | |
| CR1225 | 10mA | CR2335 | 10mA | |
| CR1616 | 10mA | CR2354 | 10mA | |
| CR1620 | 10mA | CR2430 | 15mA | |
| CR1632 | 10mA | CR2450 | 15mA | |
| CR2016 | 10mA | CR2477 | 15mA | |
| CR2025 | 10mA | CR3032 | 15mA | |
| CR2032 | 10mA | CR3832 | 15mA | |
| CR2050 | 10mA | | | |

Protection resistance R must exceed the value calculated in the following formula:

$$R \cong \frac{V (\text{Main power source voltage})}{I (\text{Maximum allowable charge current per battery})}$$

■ Precautions for Mounting

1. Overlapping Batteries

Lithium Manganese Dioxide Battery is shaped as shown below. It has exposed positive(+)and negative(-) metallic surfaces with a thin cylindrical seal, called the gasket, inbetween them. When the batteries are overlapped or mixed together in a disorderly way, their positive(+)and negative(-) terminals touch each other, causing short-circuits.

2. The Batteries Put in a Metallic Container or on a Metallic Plate

Similar to the overlapping battery problem, when the batteries are put in a metallic container or on a metallic plate, their positive(+)and negative(-) terminals may short-circuit through the conductive surface, depending on how the batteries are position.

3. When The Battery is Held with Metallic Tweezers

When held with a pair of metallic tweezers as shown, the battery short-circuits through the tweezers.

4. When The Battery Lead Plates Touch Each Other

When the battery lead plates bend and touch each other or other either terminal, the battery short-circuits.

5. older Bridges

Solder may bridge between circuit board conductors, causing a short-circuit and draining the battery.

6. Short-circuits through Soldering Irons

Similar to solder bridging, when the circuit board wiring is short-circuited by a soldering iron for an extended period the battery is drained and consumed. Complete short-circuits through soldering irons within 5 seconds.

7. Short-circuits through Piled Circuit Boards

When circuit boards with the batteries are piled on top of one another, their conductive traces may touch and form a battery discharge circuit that consumes the battery's power.

8. Discharge through Conductive Electrostatic Prevention Mats

Conductive mats are widely used to prevent static electricity from destroying semiconductors. If a circuit board with mounted battery is put on a conductive mat, the soldered conductors may touch the mat, providing a discharge path for the battery.

9. Improper Battery Mounting Polarity

When the battery's positive (+) and negative (-) terminals are reversed with respect to the battery mounting's polarity marks, the battery may be discharged, depending on the type of electric circuit.

10. Solder

When the battery lead plates are dipped in a molten solder bath, the battery is temporarily short-circuited. Therefore, complete dipping within 5 seconds.

■ Handling Precautions

Please read and observe the following precautions thoroughly.

Lithium Manganese Dioxide Battery contains flammable materials, such as organic solvent. Improper battery handling may cause leakage, heating, explosion or ignition of the battery, which may lead to injury or product failure.

■ PRECAUTIONS

1. Do not put the battery into microwave oven or drying machine.
2. Do not drop, apply excessive damage or deform the battery.
3. Do not mix the used battery together with the new battery or different type of batteries.
4. Do not store the battery in high temperature and high humidity location and where the battery is exposed to sunlight to avoid performance deterioration, swelling or leakage, of the battery.